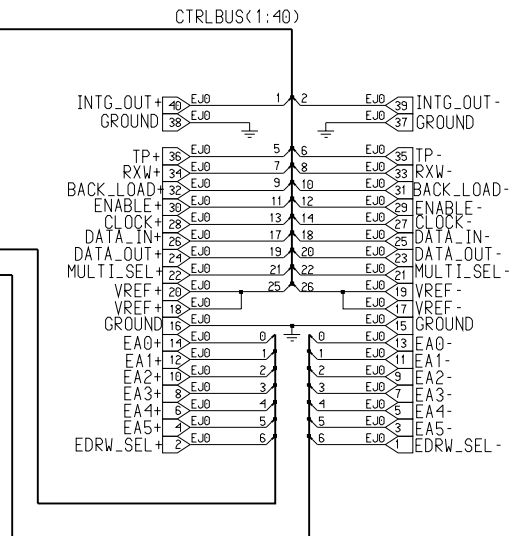
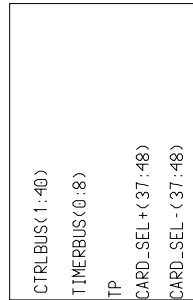
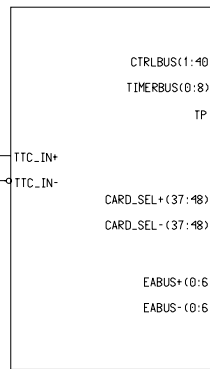


TTC_IN+
TTC_IN-

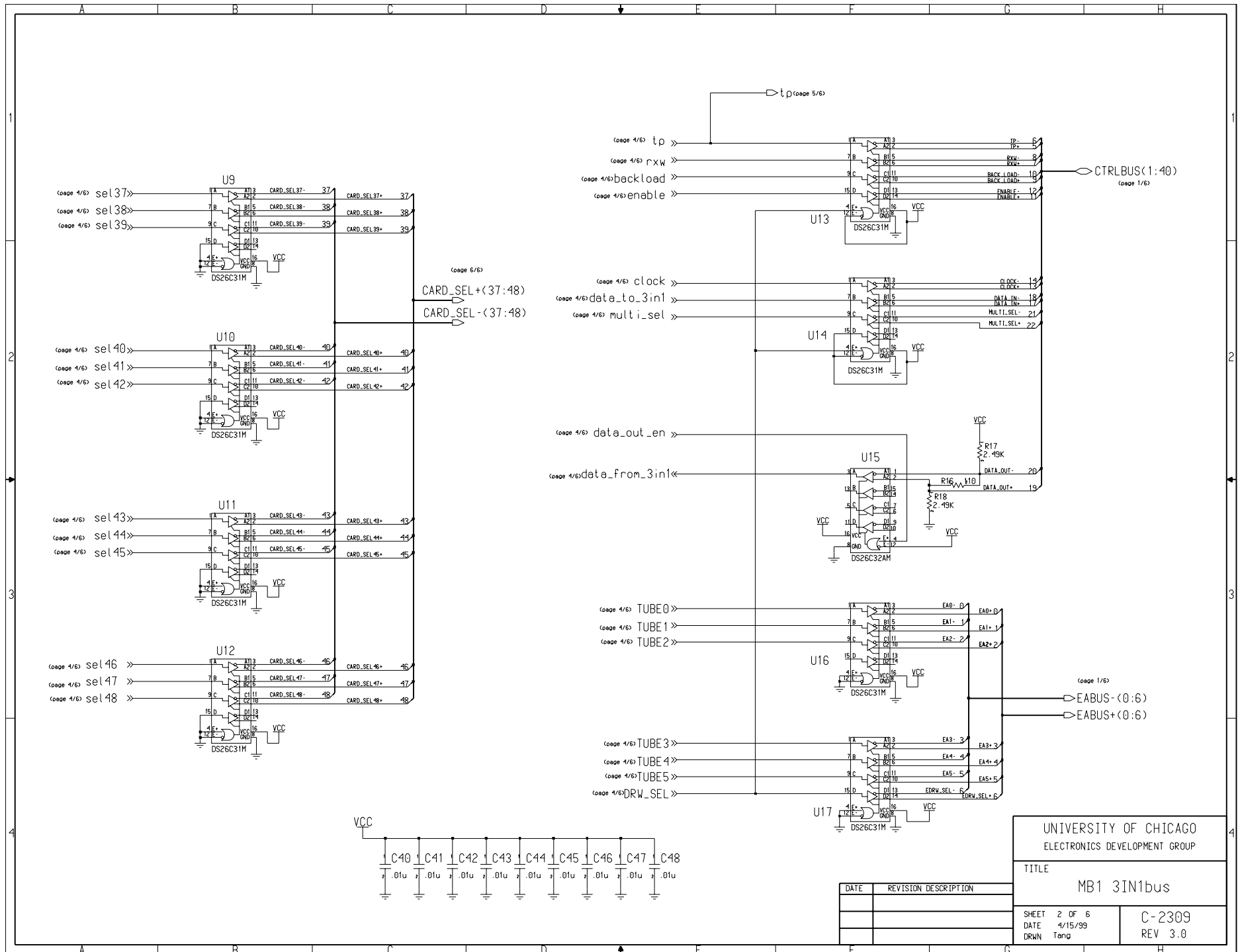


UNIVERSITY OF CHICAGO
ELECTRONICS DEVELOPMENT GROUP

TITLE
MB1 DIAGRAM

DATE	REVISION	DESCRIPTION

SHEET 1 OF 6	C-2309
DATE 4/15/99	REV 3.0
DRWN Temp	

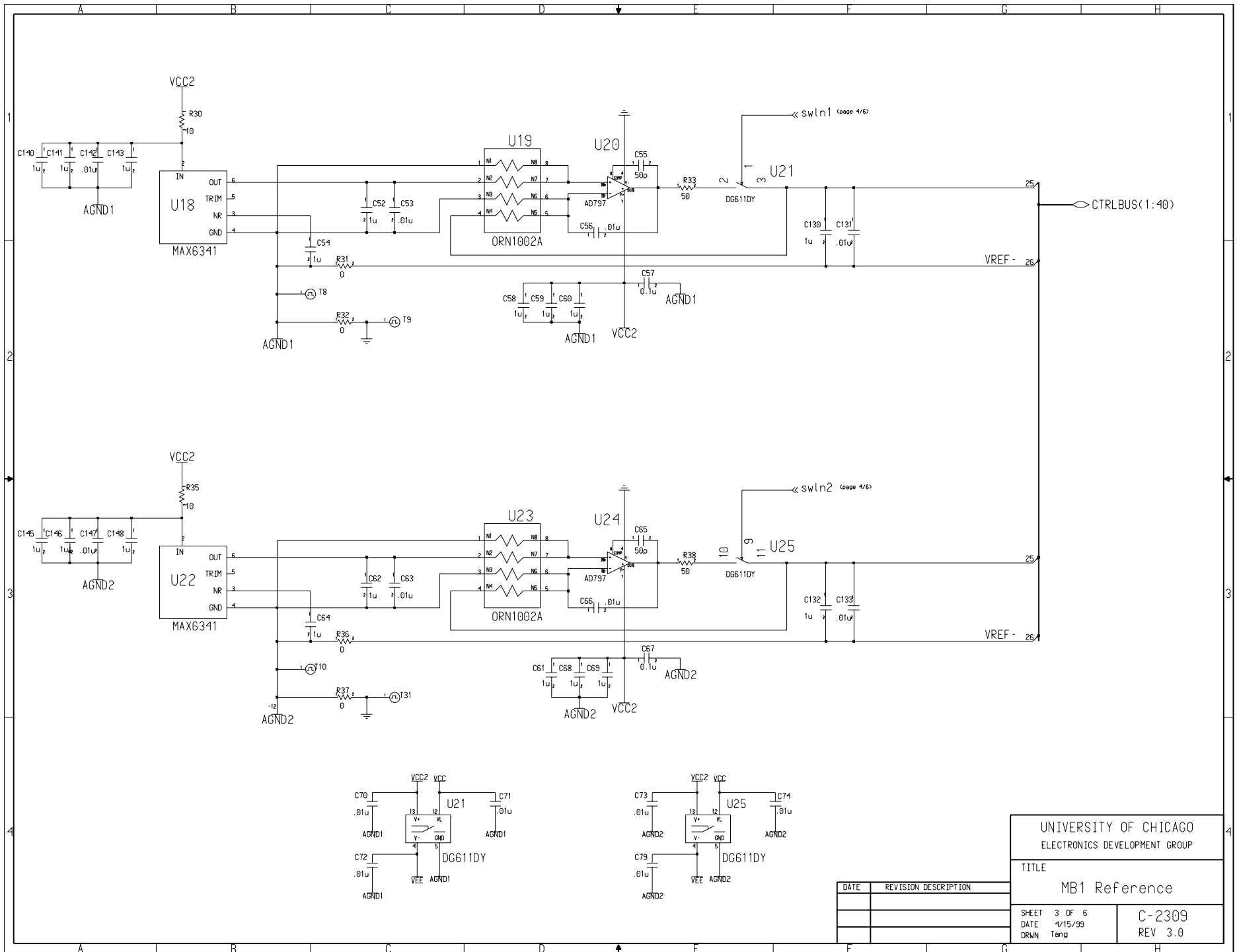


UNIVERSITY OF CHICAGO
ELECTRONICS DEVELOPMENT GROUP

TITLE
MB1 3IN1bus

DATE	REVISION	DESCRIPTION

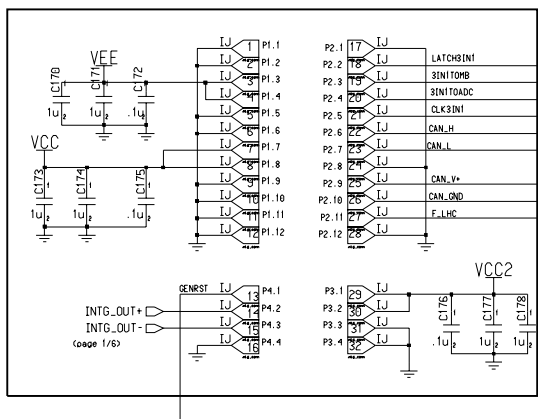
SHEET 2 OF 6	C-2309
DATE 4/15/99	REV 3.0
DRWN Temp	



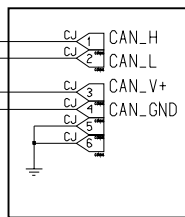
UNIVERSITY OF CHICAGO ELECTRONICS DEVELOPMENT GROUP	
TITLE MB1 Reference	
SHEET 3 OF 6	C-2309
DATE 4/15/99	REV 3.0
DRWN Temp	

DATE	REVISION DESCRIPTION

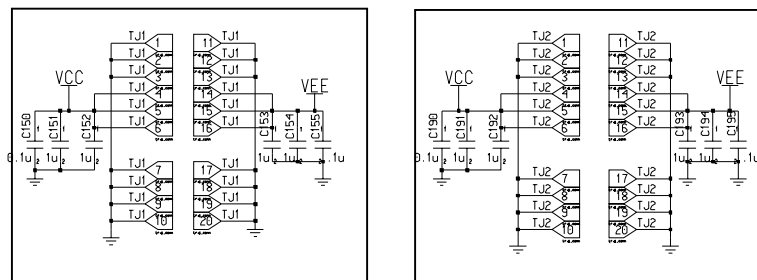
IJ: Interconnector to Integrator ADC Card



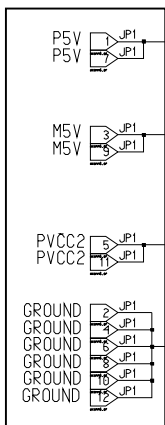
CJ: Canbus connector to patch panel



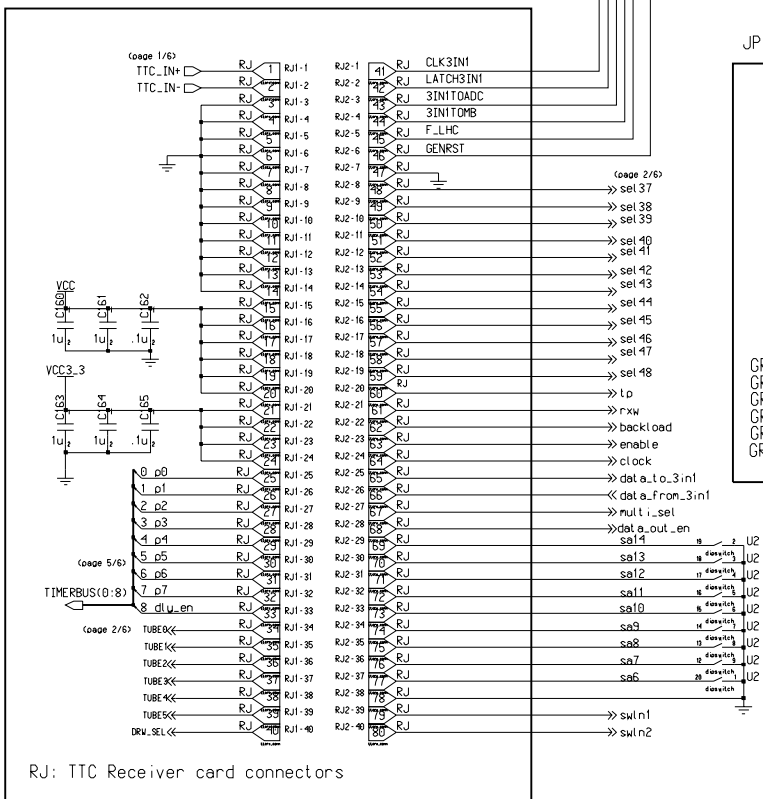
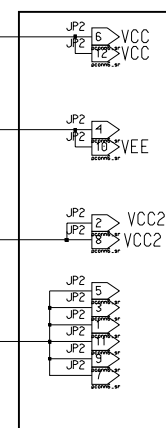
TJ1, TJ2: Interconnector to trigger cards



JP1: Power input Connector



JP2: Power output Connector



RJ: TTC Receiver card connectors

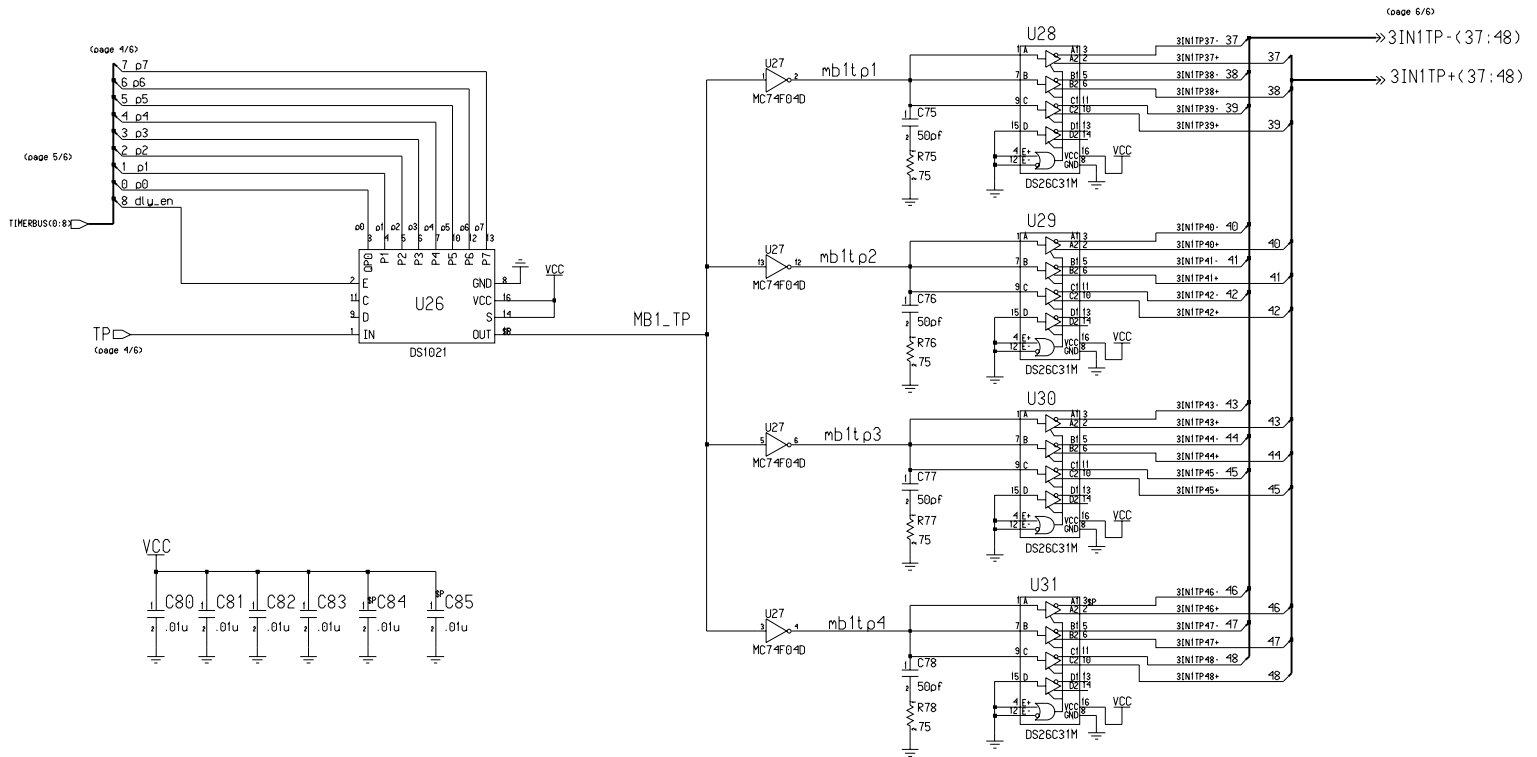
UNIVERSITY OF CHICAGO
ELECTRONICS DEVELOPMENT GROUP

TITLE
MB1 functional connectors

DATE	REVISION	DESCRIPTION

SHEET 4 OF 6
DATE 4/15/99
DRWN Temp

C-2309
REV 3.0

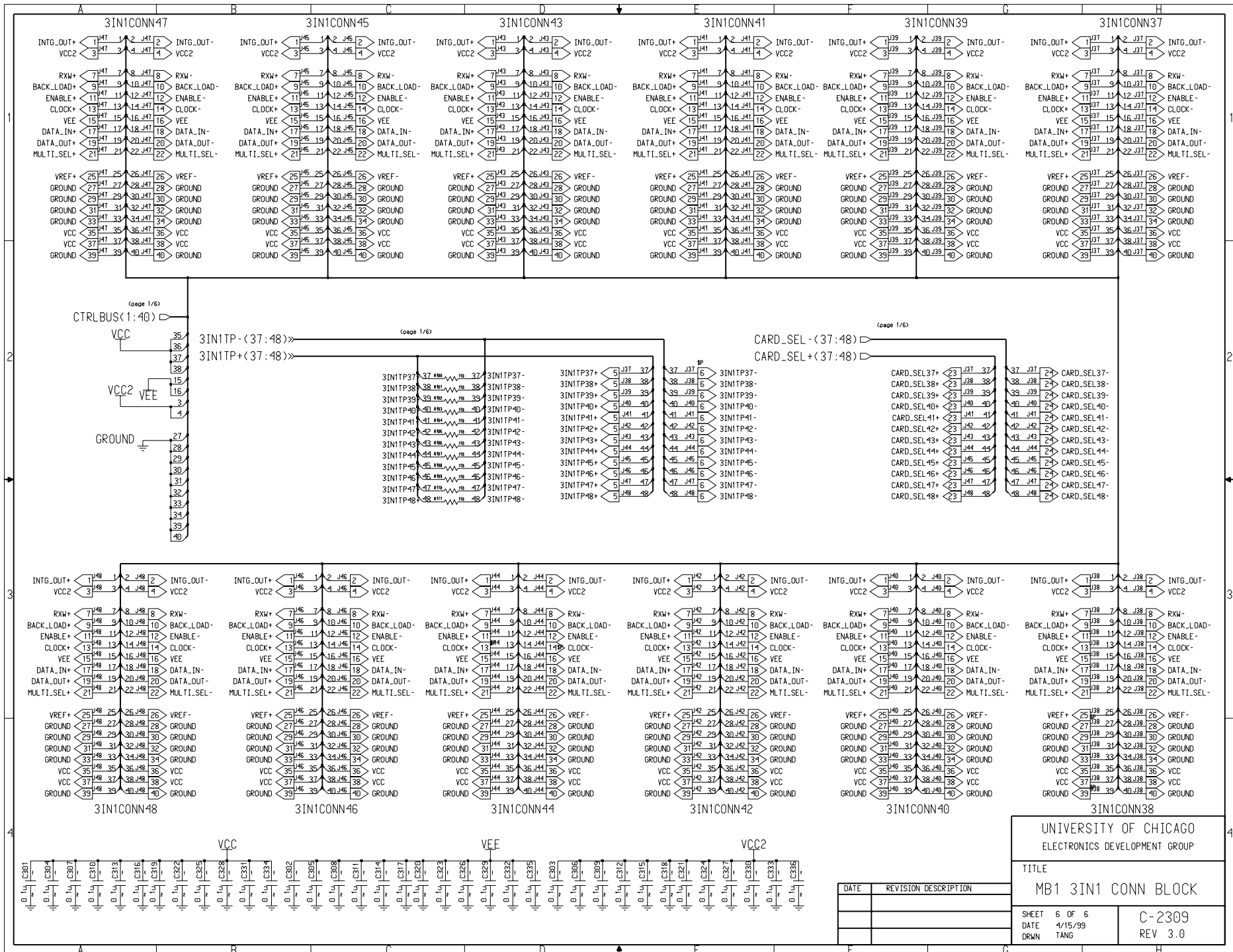


UNIVERSITY OF CHICAGO
ELECTRONICS DEVELOPMENT GROUP

TITLE
MB1 TP DISTRIBUTOR

DATE	REVISION	DESCRIPTION

SHEET 5 OF 6	C-2309
DATE 4/15/99	REV 3.0
DRWN Temp	



UNIVERSITY OF CHICAGO ELECTRONICS DEVELOPMENT GROUP	
TITLE MB1 31IN1 CONN BLOCK	
SHEET 6 OF 6	C-2309
DATE 4/15/99	REV 3.0
DRWN TANG	