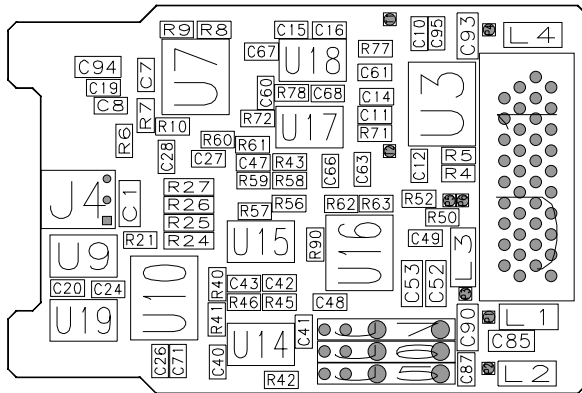
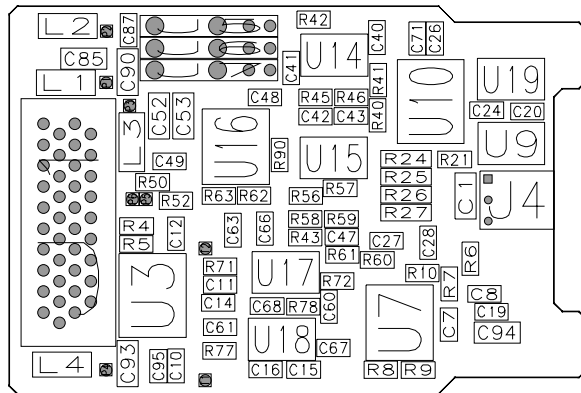


B-2382 V3.1 Top Side Assembly Drawing

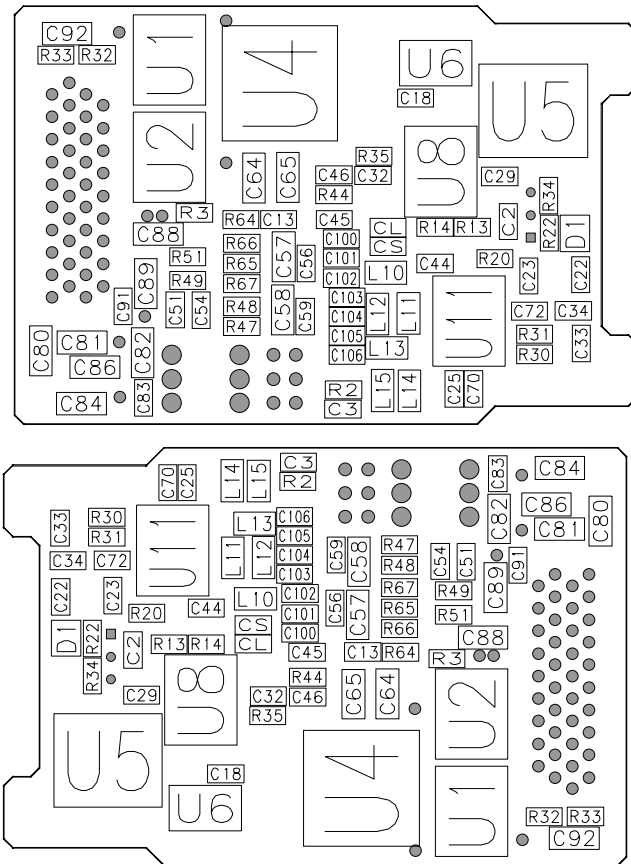


Fukun Tang
 University of Chicago
 Tel: 773-702-7801
 Fax: 773-702-2971
 tang@mentor.uchicago.edu

SCHM# B-2381 V3.1
 SPEC# B-2382 V3.1
 ASSM# B-2383 V3.1

UNIVERSITY OF CHICAGO ELECTRONICS DEVELOPMENT GROUP	
TITLE B-2382 V3.1 Assembly Drawing	
SHEET 1 OF 2	B- 2382 REV v3.1
DATE 02/23/99	
DRAWN TANG	

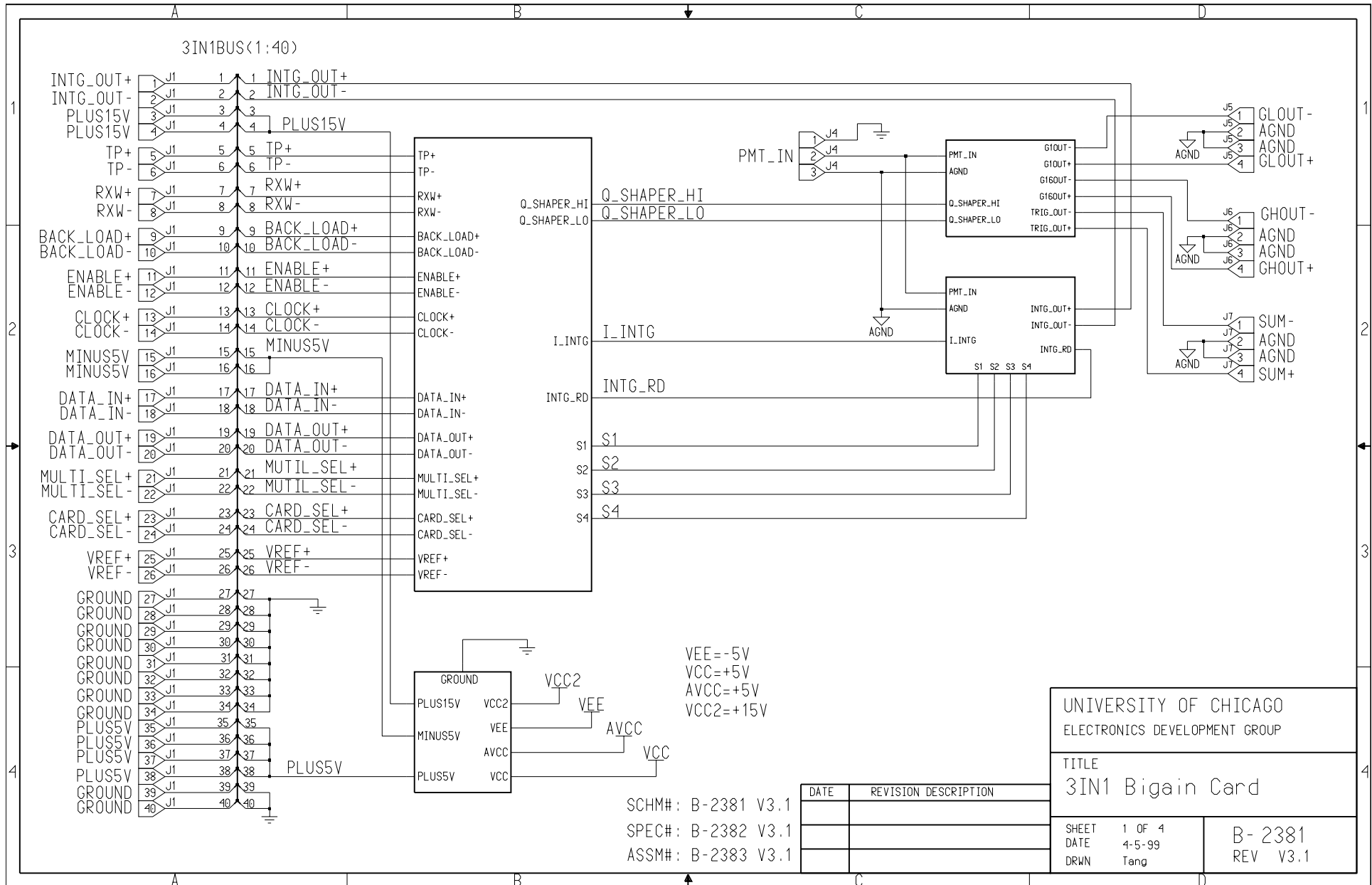
B-2382 V3.1 Bottom Side Assembly Drawing

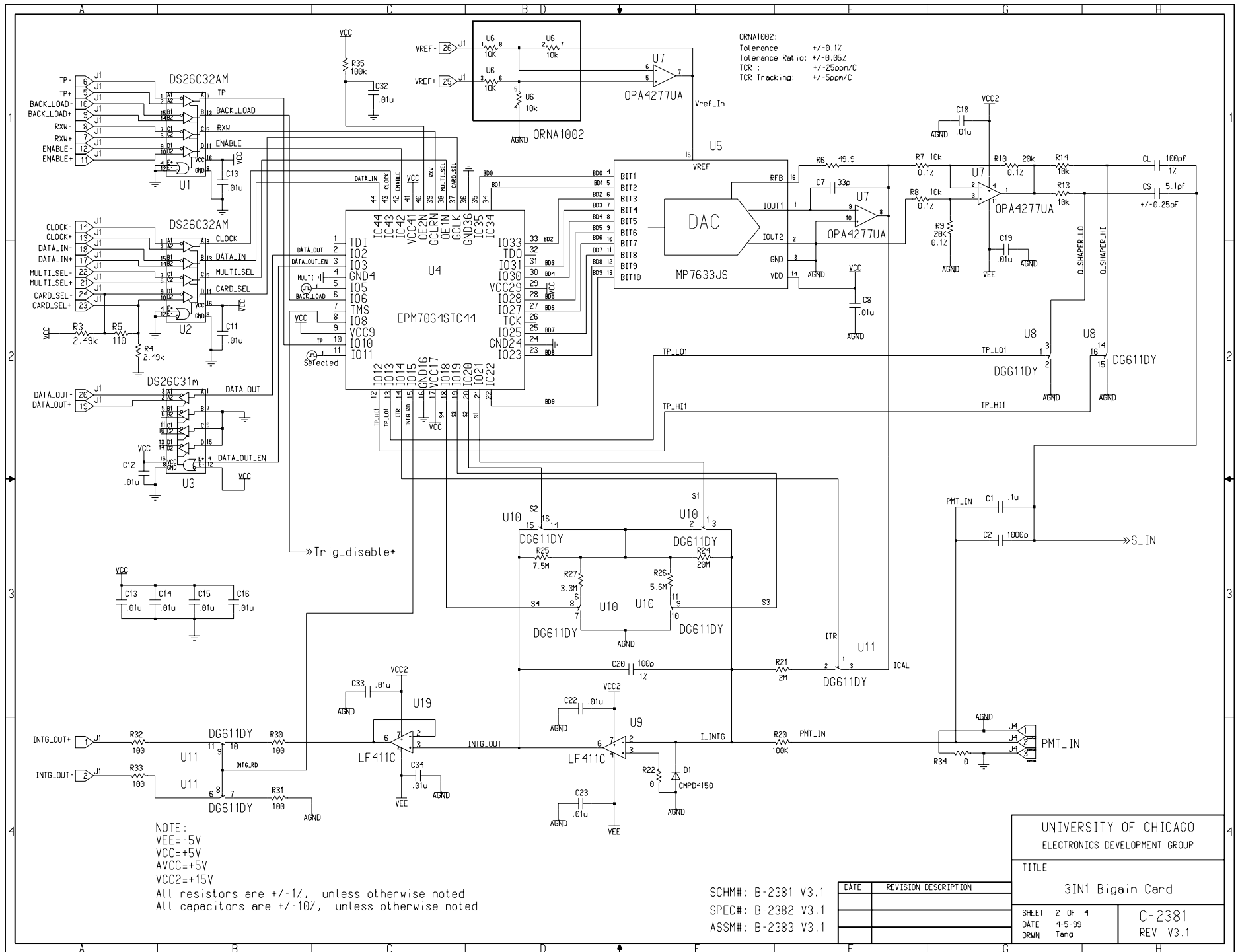


Fukun Tang
 University of Chicago
 Tel: 773-702-7801
 Fax: 773-702-2971
 tang@mentor.uchicago.edu

SCHM# B-2381 V3.1
 SPEC# B-2382 V3.1
 ASSM# B-2383 V3.1

UNIVERSITY OF CHICAGO ELECTRONICS DEVELOPMENT GROUP	
TITLE B-2382 V3.1 Assembly Drawing	
SHEET 2 OF 2	B- 2382 REV V3.1
DATE 02/23/98 DRAWN TANG	





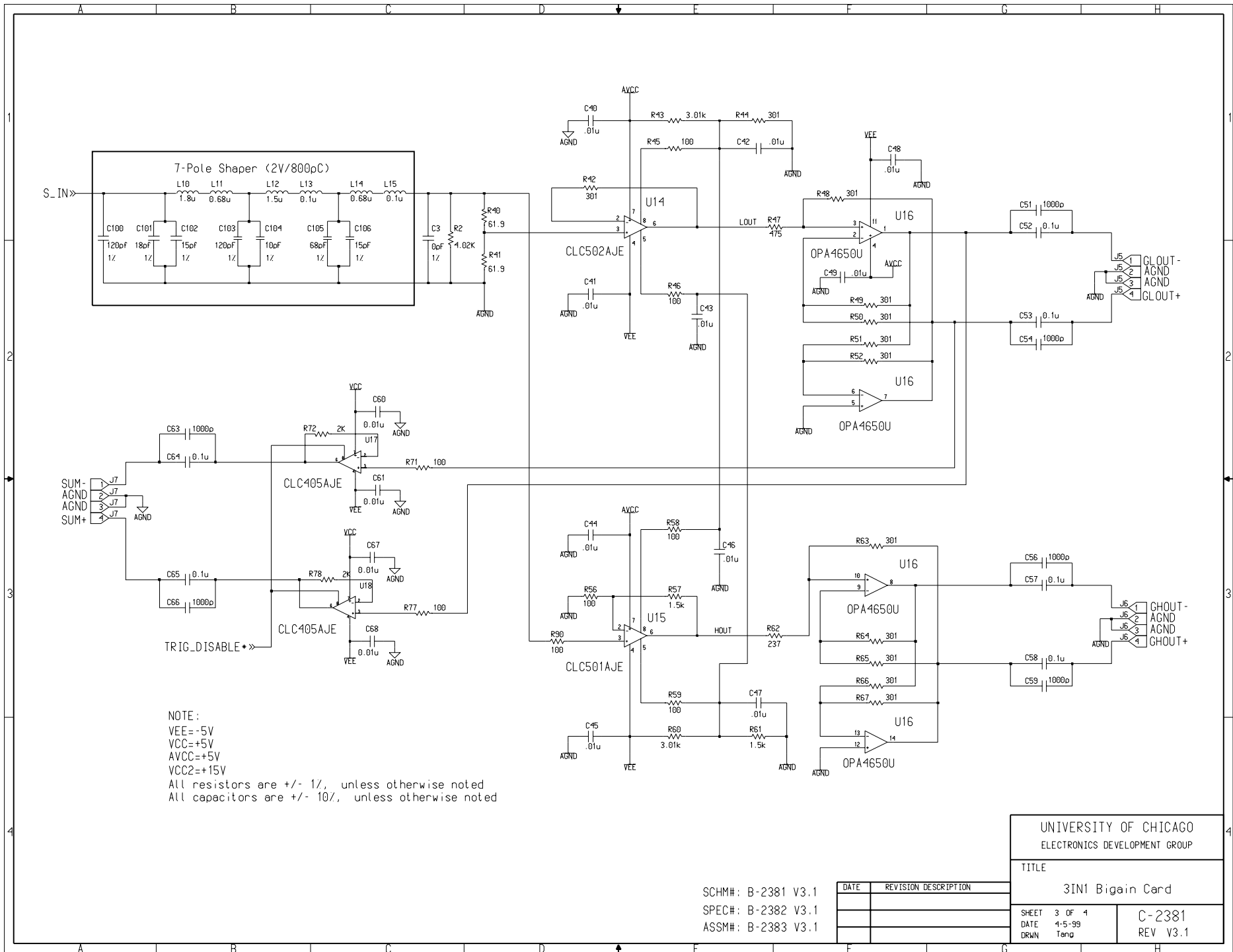
ORNA1002:
 Tolerance: +/-0.1%
 Tolerance Ratio: +/-0.05%
 TCR: +/-25ppm/C
 TCR Tracking: +/-5ppm/C

NOTE:
 VEE=-5V
 VCC=+5V
 AVCC=+5V
 VCC2=+15V
 All resistors are +/-1%, unless otherwise noted
 All capacitors are +/-10%, unless otherwise noted

SCHM#: B-2381 V3.1
 SPEC#: B-2382 V3.1
 ASSM#: B-2383 V3.1

DATE	REVISION	DESCRIPTION

UNIVERSITY OF CHICAGO ELECTRONICS DEVELOPMENT GROUP	
TITLE 3IN1 Bigain Card	
SHEET 2 OF 4	C-2381
DATE 4-5-99	REV V3.1
DRWN Temo	

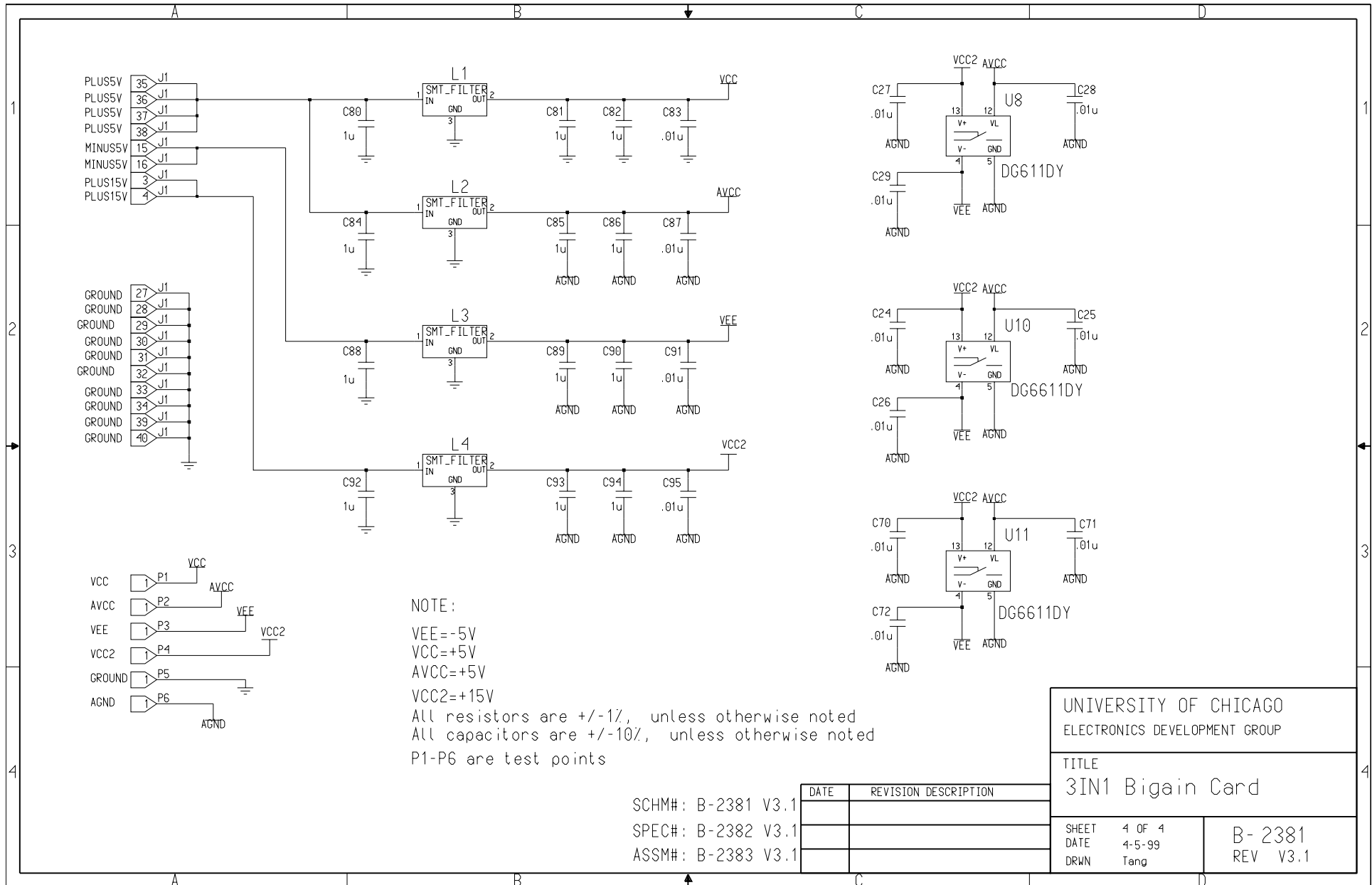


NOTE:
 VEE=-5V
 VCC=+5V
 AVCC=+5V
 VCC2=+15V
 All resistors are +/- 1%, unless otherwise noted
 All capacitors are +/- 10%, unless otherwise noted

UNIVERSITY OF CHICAGO ELECTRONICS DEVELOPMENT GROUP	
TITLE 3IN1 Bigain Card	
SHEET 3 OF 4	C-2381
DATE 4-5-99	REV V3.1
DRWN Tang	

SCHM#: B-2381 V3.1
 SPEC#: B-2382 V3.1
 ASSM#: B-2383 V3.1

DATE	REVISION DESCRIPTION



SCHM#: B-2381 V3.1
 SPEC#: B-2382 V3.1
 ASSM#: B-2383 V3.1

DATE	REVISION	DESCRIPTION

UNIVERSITY OF CHICAGO ELECTRONICS DEVELOPMENT GROUP	
TITLE 3IN1 Bigain Card	
SHEET 4 OF 4 DATE 4-5-99 DRWN Tang	B-2381 REV V3.1